



MFWD TRACTORS

» 190 to 220 hp



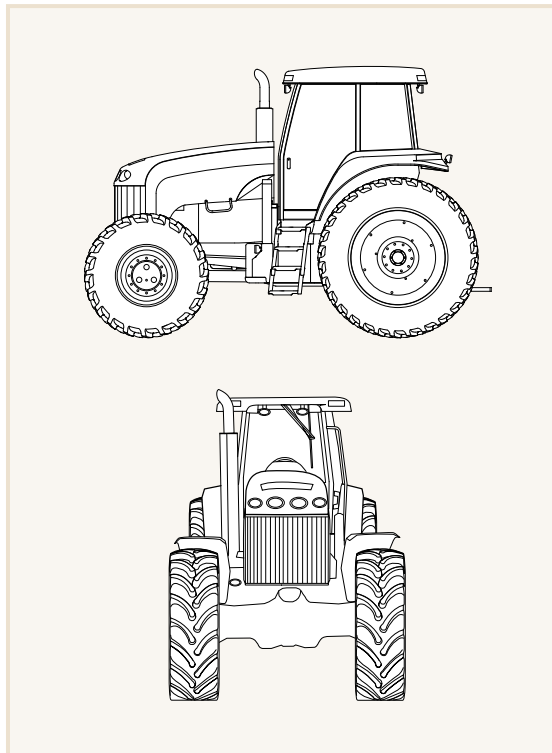
» 190 to 220 hp

MFWD TRACTORS



SPECIFICATIONS » 190, 220

SPECIFICATIONS	ALL MODELS
Engine	
Engine type	Cummins QSB
Aspiration	Turbocharged & air-to-air aftercooled
Displacement	6.7-liter (409 cu. in.)
Bore and stroke	4.21 x 4.88 in (107 x 124 mm)
Dimensions	
Height to top of cab	124 in (3150 mm)
Top of exhaust	124 in (3150 mm)
Ground clearance	17.6 in (447 mm)
Wheelbase	118 in (3000 mm)
Length	199 in (5065 mm)



MODEL	190	220
Engine performance		
Horsepower	190 hp (142 kW) at 2200 RPM	220 hp (164 kW) at 2200 RPM
Power bulge	3% at 1900 RPM	5% at 2000 RPM
PTO horsepower	155 hp (116 kW)	180 hp (134 kW)
Torque rise	51% at 1400 RPM	33% at 1500 RPM
Peak torque	687 lb-ft	700 lb-ft
Fuel system		
Capacity	105 U.S. gal (400 L)	105 U.S. gal (400 L)
Filter	Engine mounted with water separator	Engine mounted with water separator
Transmission		
Partial powershift transmission	6 speed syncro ranges with 4 powershift per range	6 speed syncro ranges with 4 powershift per range
Maximum speed	25 mph (40 kph)	25 mph (40 kph)
Axles		
Front axle - track setting	62 to 88 in (1524 to 2235 mm)	62 to 88 in (1524 to 2235 mm)
Rear axle length	118 in (3000 mm)	118 in (3000 mm)
Rear axle diameter	4.13 in (105 mm)	4.13 in (105 mm)
Rear axle track - width adjustable Axle 118"	62 to 130 in (1524 to 3300 mm)	62 to 130 in (1524 to 3300 mm)
Hydraulics		
Hydraulic type	Closed Center Load Sensing System	Closed Center Load Sensing System
HydraFlow rate at 2100 RPM	30 GPM (114 L/min)	30 GPM (114 L/min)
Hydraulic remotes - HydraFlow	4 standard valves w/flow control	4 standard valves w/flow control
Maximum system pressure	2900 psi (200 Bar)	2900 psi (200 Bar)
Electrical system		
Alternator	12 V-160 amp	12 V-160 amp
Batteries	2-12V, 950 CCA each	2-12V, 950 CCA each
Standard lights	Halogen - 2 headlights, 9 worklights, 2 front roof mounted	Halogen - 2 headlights, 9 worklights, 2 front roof mounted
High intensity discharge (HID) lighting	Optional	Optional
Drawbar / 3-point hitch / PTO		
3-point hitch	Category III	Category III
Standard (SAE) lift capacity	12,500 lb (5680 kg)	12,500 lb (5680 kg)
Electronic draft sensing	Optional	Optional
Weights		
Shipping weight	17,750 lb (8070 kg)	17,750 lb (8070 kg)
Capacities		
Fuel tank	105 U.S. gal (400 L)	105 U.S. gal (400 L)
Engine oil	15 qt (14.2 L)	15 qt (14.2 L)
Hydraulic system	83 qt (79 L)	83 qt (79 L)
Coolant system	27.5 qt (26 L)	27.5 qt (26 L)

*All specifications are based on the following tire sizes unless otherwise noted: 14.9R28 (FWD), 18.4R42 (Rear)